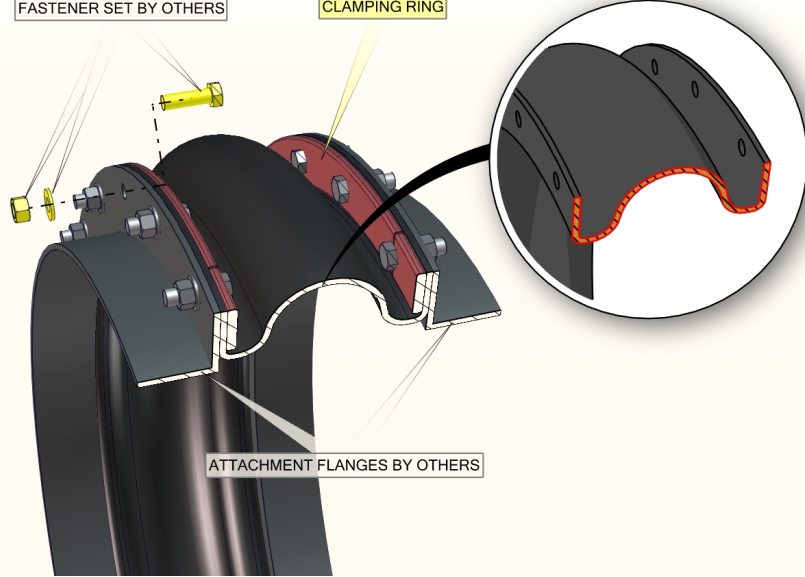


STYLE 530 ARCH DESIGN  
DUCT CONNECTOR FOR  
ULTRA HIGH MOVEMENTS

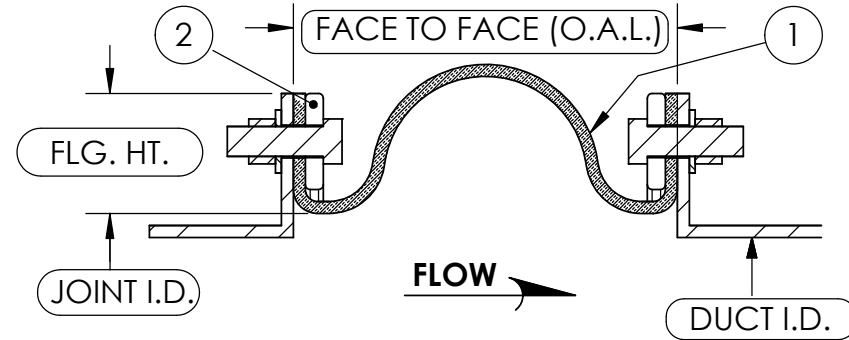
FASTENER SET BY OTHERS

CLAMPING RING

ATTACHMENT FLANGES BY OTHERS

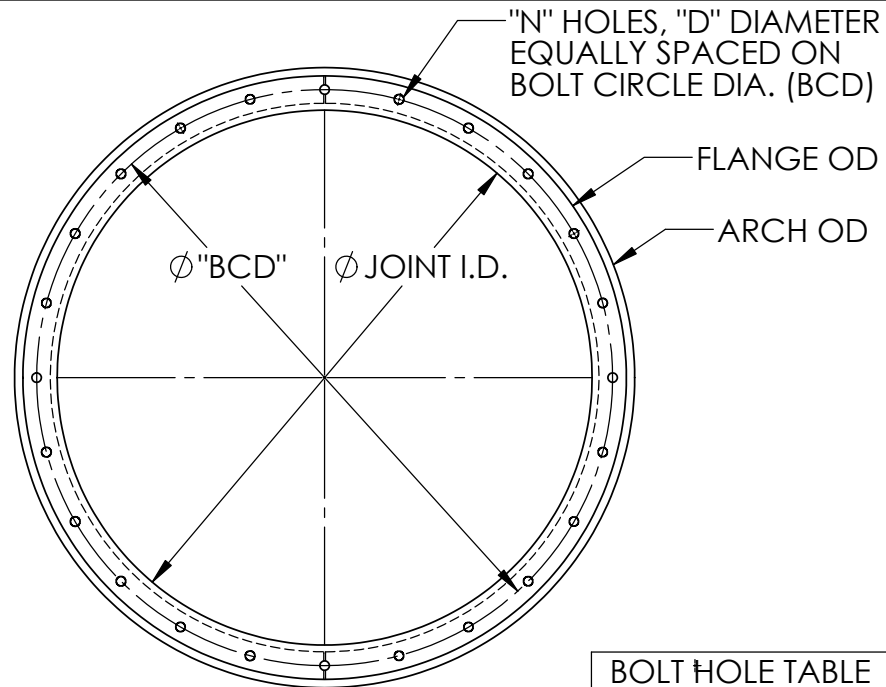


BILL OF MATERIALS				
ITEM NO	COMPONENT	DESCRIPTION	QTY.	MATERIAL
1	JOINT ELEMENT	1/4" NO M. THICKNESS	1	EPDM
2	CLAMPING RING	3/8" THICK X 2" WIDE	2	C/S (GALV)



TYPICAL CROSS SECTION

GENERAL DIMENSIONS	
JOINT I.D.	
FLANGE HEIGHT	3"
FACE TO FACE (O.A.L.)	
DUCT I.D.	



TYPICAL END VIEW  
BOLT PATTERN LAYOUT

BOLT HOLE TABLE

"BCD"	
"N"	
φ "D"	

DRAWING IS NOT TO SCALE

TEMPERATURE		PRESSURE	
COMPRESSION	EXTENSION	LATERAL	



**STYLE 530 ARCH DESIGN  
ROUND DUCT CONNECTOR**

CUSTOMER	
TAG NO.	QTY
DWG. NO.	REV
	-