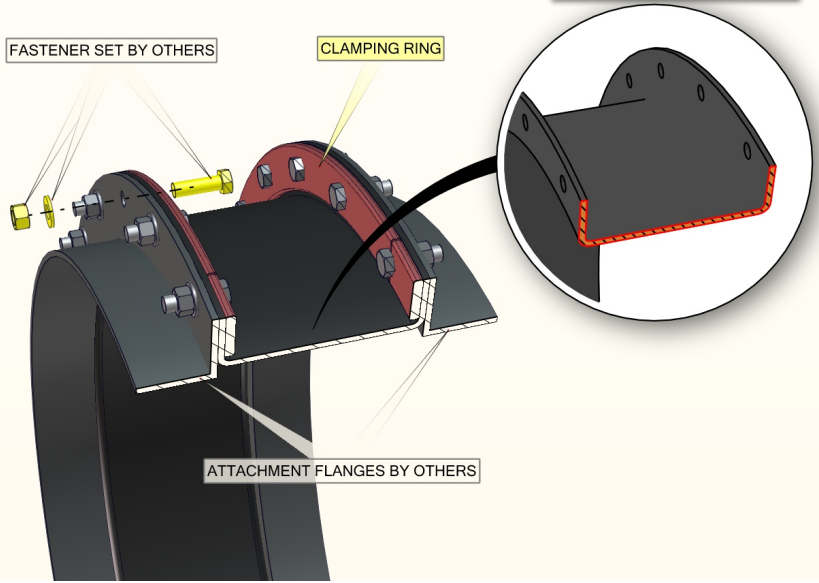


STYLE 520 U-DESIGN  
DUCT CONNECTOR FOR  
STANDARD MOVEMENTS

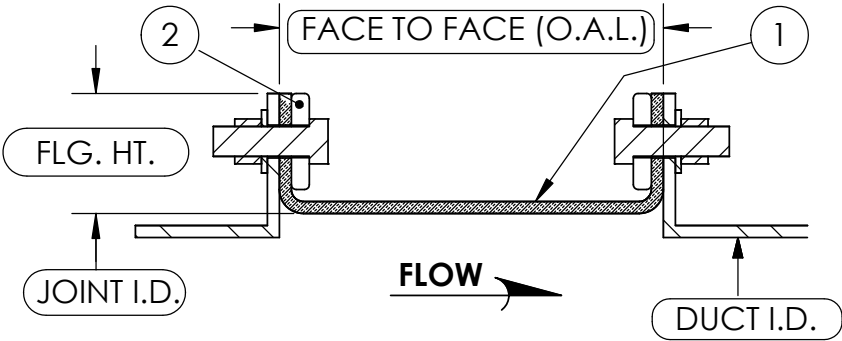
FASTENER SET BY OTHERS

CLAMPING RING



ATTACHMENT FLANGES BY OTHERS

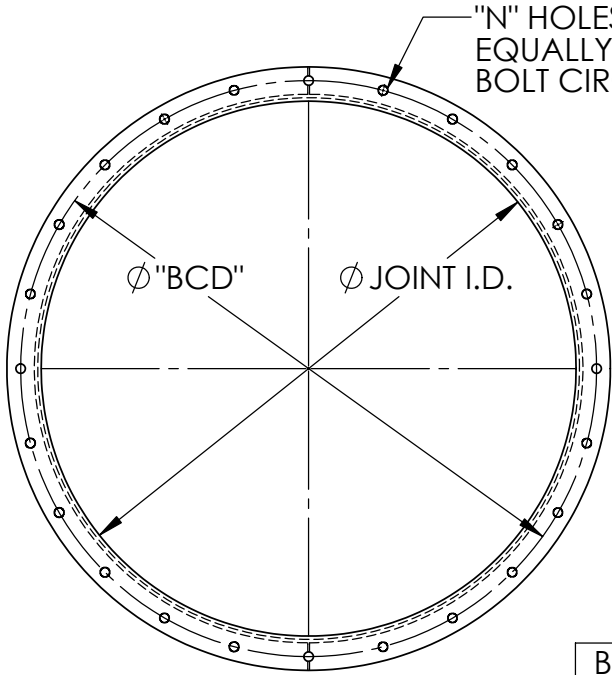
BILL OF MATERIALS				
ITEM NO	COMPONENT	DESCRIPTION	QTY.	MATERIAL
1	JOINT ELEMENT		1	
2	CLAMPING RING		2	



TYPICAL CROSS SECTION

GENERAL DIMENSIONS	
JOINT I.D.	
FLANGE HEIGHT	3"
FACE TO FACE (O.A.L.)	
DUCT I.D.	

"N" HOLES, "D" DIAMETER  
EQUALLY SPACED ON  
BOLT CIRCLE DIA. (BCD)



TYPICAL END VIEW  
BOLT PATTERN LAYOUT

BOLT HOLE TABLE	
"BCD"	
"N"	
φ "D"	

DRAWING IS NOT TO SCALE

TEMPERATURE		PRESSURE	
COMPRESSION	EXTENSION	LATERAL	



STYLE 520 U-DESIGN  
ROUND DUCT CONNECTOR

CUSTOMER	
TAG NO.	QTY
DWG. NO.	REV
	-

THE INFORMATION CONTAINED IN THIS DRAWING IS THE SOLE PROPERTY OF PROCO PRODUCTS INC. ANY REPRODUCTION IN PART OR AS A WHOLE WITHOUT THE WRITTEN PERMISSION OF PROCO PRODUCTS INC. IS PROHIBITED.